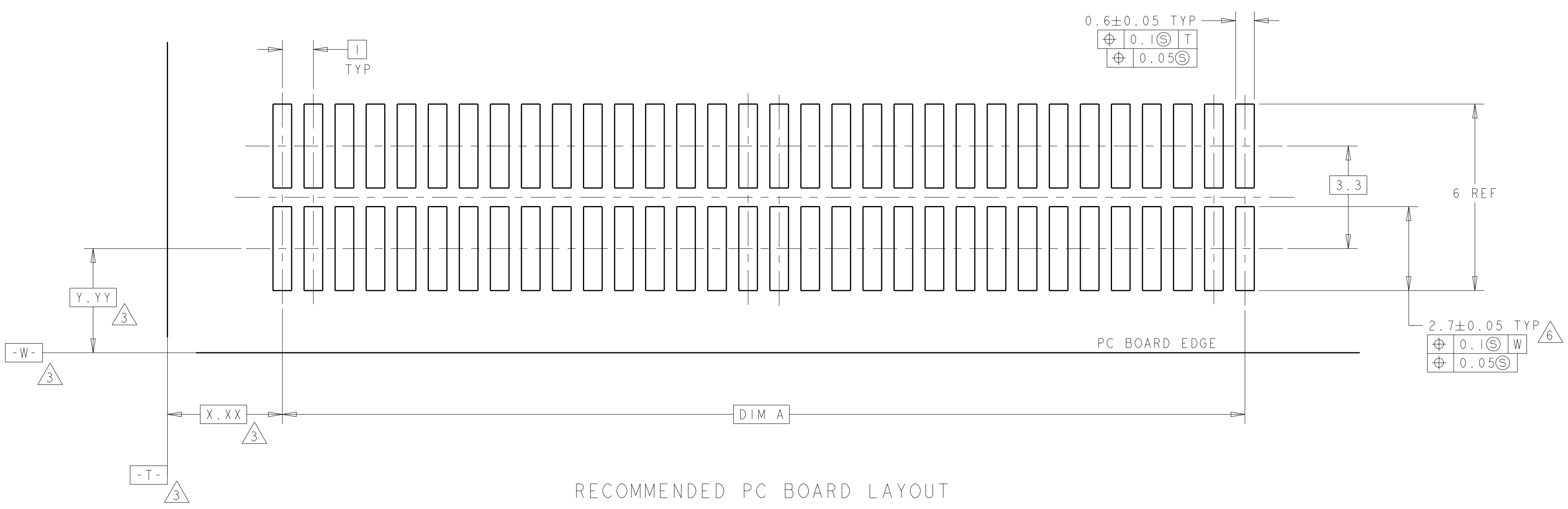
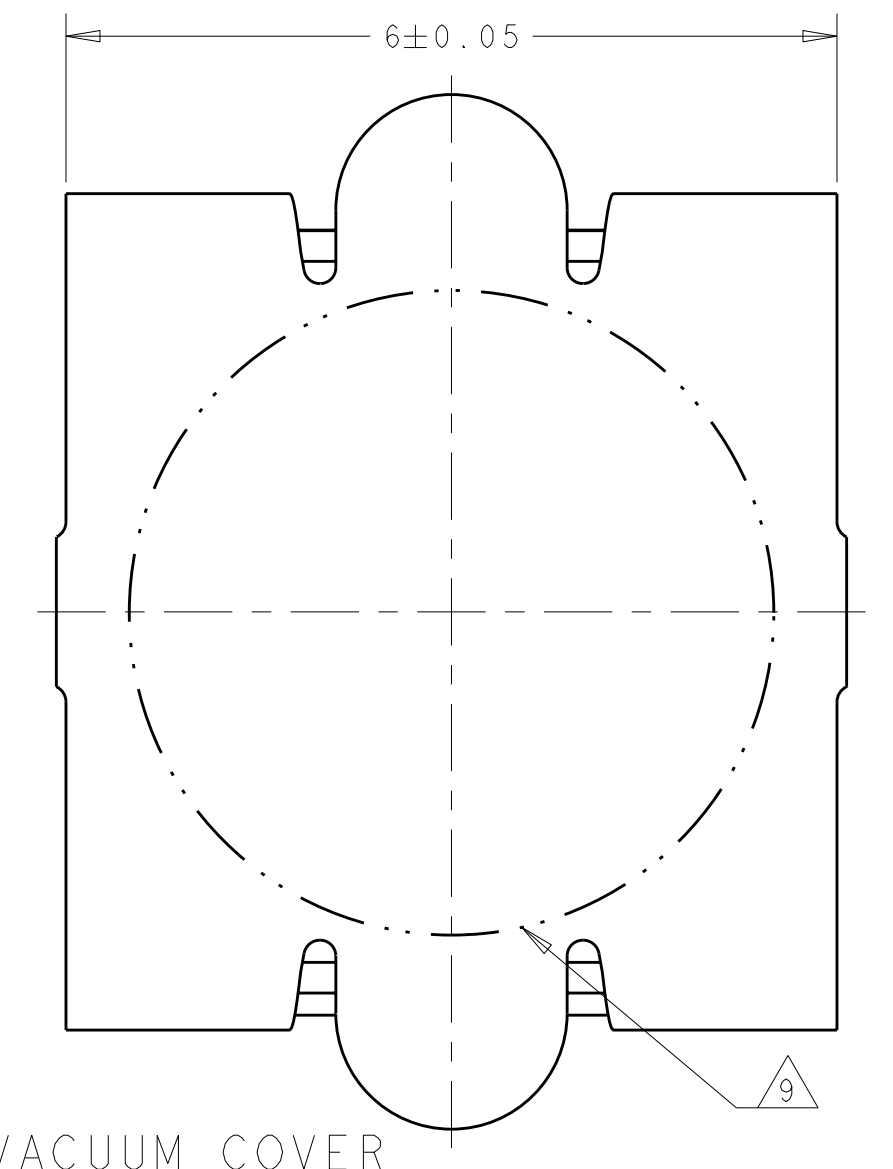
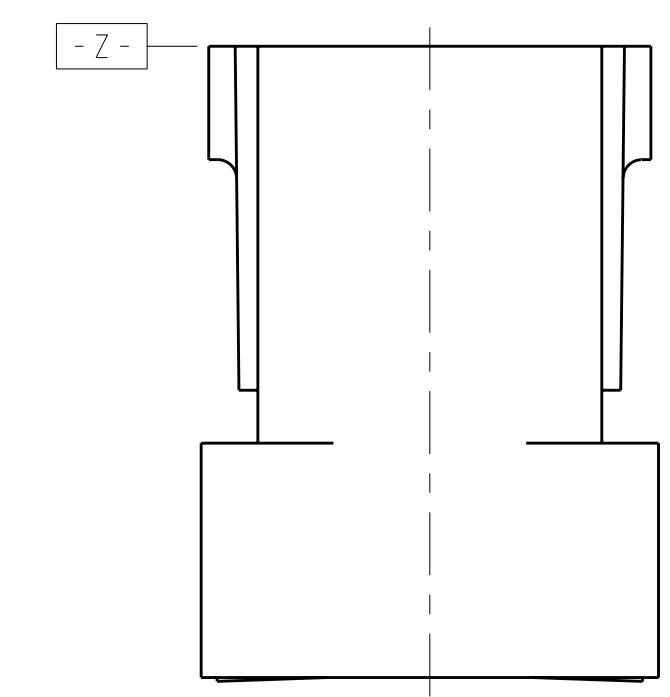
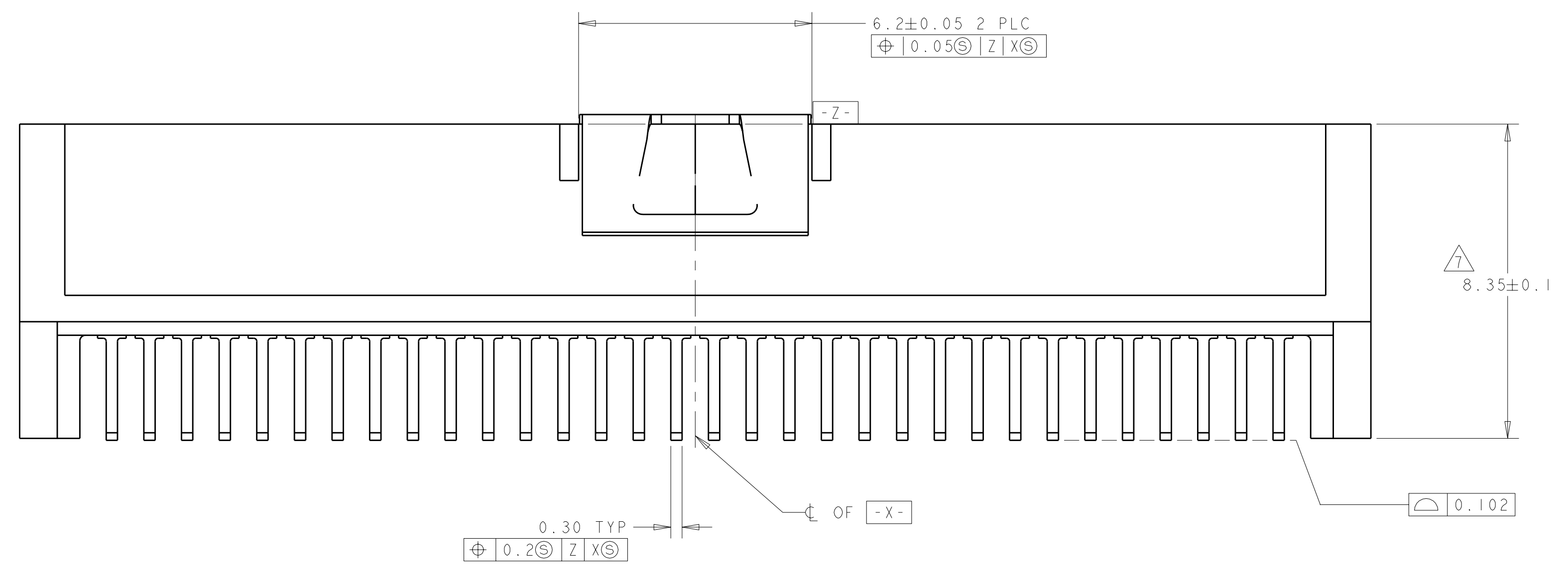
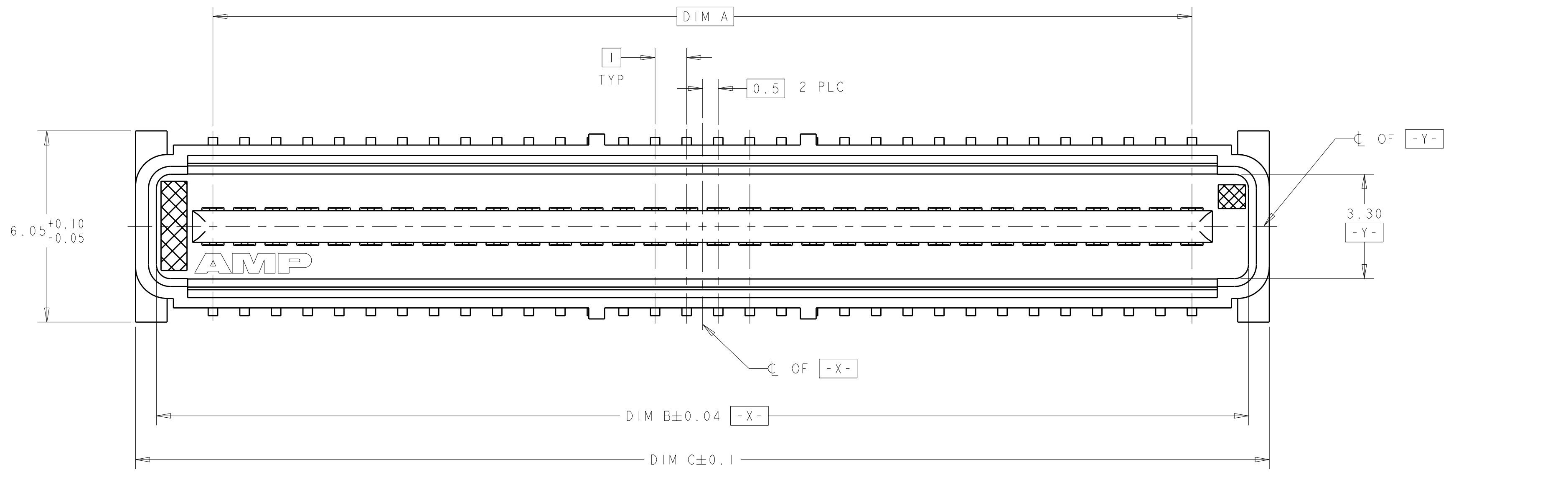


LOC	DIST	REV	DATE	DWN	APVD
AD	00	0	30SEP2004	BC	RW
		A	16SEP2005	BC	RW
		B	10JUL2008	DH	DB



1. HOUSING MATERIAL: LIQUID CRYSTAL POLYMER COLOR: BLACK.
CONTACT MATERIAL: PHOSPHOR BRONZE.
2. CONTACT FINISH: NICKEL UNDERPLATE ALL OVER, MATING SURFACES PLATED TO MEET PLI PERFORMANCE REQUIREMENTS OF INDUSTRY SPECIFICATION EIA-700AAAB, SOLDER TAILS PLATED TIN.
3. DATUM LOCATIONS AND BASIC DIMENSIONS TO BE ESTABLISHED BY THE CUSTOMER. CONSULT AMP ENGINEERING WHEN PLACING MULTIPLE CONNECTORS ON A PC BOARD.
4. PACKAGED IN TAPE ON REEL PER EIA-481.
5. VACUUM COVER DESIGNED FOR 4mm DIA. NOZZLE. VACUUM COVER TO BE REMOVED AFTER SOLDERING. VACUUM COVER REMOVED FROM SOME VIEWS FOR DIMENSIONAL CLARITY.
6. SHORTER SOLDER LANDS MAY BE USED PER EIA 700AAAB, HOWEVER 2.7 LENGTH ASSURES OPTIMUM SOLDER FILLET REGARDLESS OF MANUFACTURER OF CONNECTOR.
7. REFERRED TO AS DIM N IN EIA 700AAAB SPECIFICATION.
8. CORRUGATED REEL, HOLDS 400 CONNECTORS PER REEL 330.2[13.00] DIA REEL; 88.9[3.50] REEL CORE.
PLASTIC REEL, HOLDS 250 CONNECTORS PER REEL 330.2[13.00] DIA REEL; 177.8[7.00] REEL CORE.
9. 5.5 MIN DIAMETER TARGET AREA FOR VACUUM PICK-UP.
10. CONTACT FINISH: 0.00381 MINIMUM MATTE TIN PER ASTM B 545 ON SOLDER AREA; 0.00127 MINIMUM GOLD PER ASTM B 488 ON MATING AREA, BOTH OVER 0.00127 MINIMUM NICKEL PER SAE-AMS-QQ-N-290 ON ENTIRE CONTACT.

FINISH	REEL QTY	DIM C	DIM B	DIM A	MATING CONNECTOR	STACK HEIGHTS	POS	PART NUMBER	
		400	45.9	44.58	41	120531-2	15	84	1-5120534-2
		400	45.9	44.58	41	120530-2	13	84	1-5120534-2
		400	45.9	44.58	41	120529-2	12	84	1-5120534-2
		400	45.9	44.58	41	120528-2	10	84	1-5120534-2
		400	35.9	34.58	31	120531-1	15	64	1-5120534-1
		400	35.9	34.58	31	120530-1	13	64	1-5120534-1
		400	35.9	34.58	31	120529-1	12	64	1-5120534-1
		400	35.9	34.58	31	120528-1	10	64	1-5120534-1
OBSOLETE		250	35.9	34.58	31	120531-1	15	64	5120534-3
OBSOLETE		250	35.9	34.58	31	120530-1	13	64	5120534-3
OBSOLETE		250	35.9	34.58	31	120529-1	12	64	5120534-3
OBSOLETE		250	35.9	34.58	31	120528-1	10	64	5120534-3
		400	45.9	44.58	41	120531-2	15	84	5120534-2
		400	45.9	44.58	41	120530-2	13	84	5120534-2
		400	45.9	44.58	41	120529-2	12	84	5120534-2
		400	45.9	44.58	41	120528-2	10	84	5120534-2
		400	35.9	34.58	31	120531-1	15	64	5120534-1
		400	35.9	34.58	31	120530-1	13	64	5120534-1
		400	35.9	34.58	31	120529-1	12	64	5120534-1
		400	35.9	34.58	31	120528-1	10	64	5120534-1

<small>THIS DRAWING IS UNPUBLISHED. RELEASED FOR PUBLICATION BY TYCO ELECTRONICS CORPORATION, ALL RIGHTS RESERVED.</small> DIMENSIONS: mm		TOLERANCES UNLESS OTHERWISE SPECIFIED: 9 PLC ±.03 5 PLC ±.04 4 PLC ±.05 ANGLES 40° 30'		DWN: B. CARBO 30SEP04 CHK: R. WERTZ 30SEP04 APVD: R. WERTZ 30SEP04		tyco Tyco Electronics Harrisburg, PA 17105-3608	
MATERIAL: SEE TABLE		FINISH: SEE TABLE		PRODUCT SPEC: - APPLICATION SPEC: - WEIGHT: -		NAME: - SIZE: A 100779 C=5120534 SCALE: 17:1 SHEET 1 OF 1 REV B	
CUSTOMER DRAWING				PLUG ASSY, W/COVER 1.0mm FH(IEEE1386) CONNECTOR			